

1 2 3 4 5 6 7

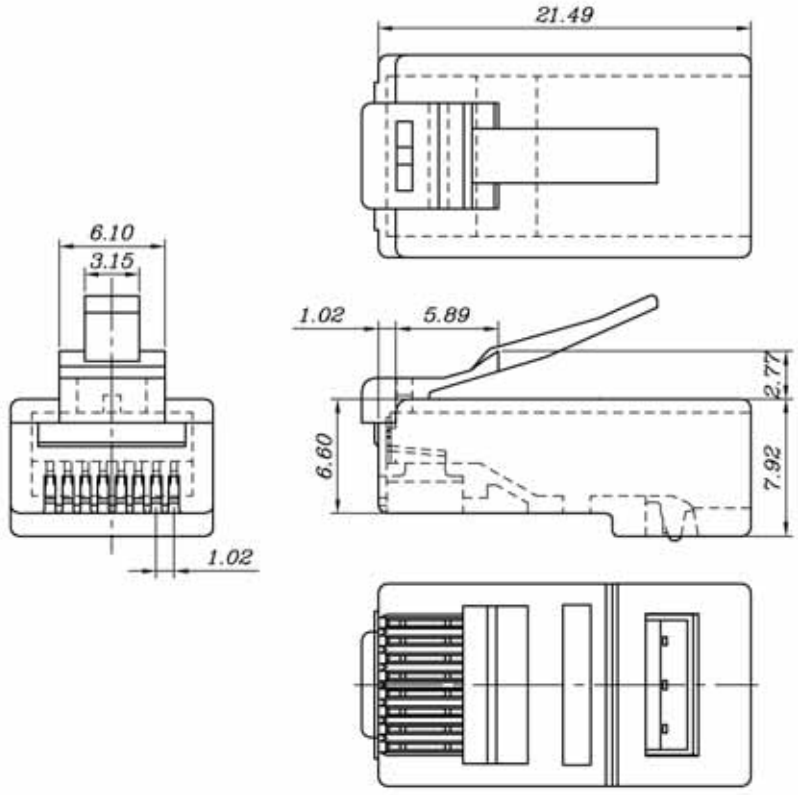
REV	DATE	MODIFICATION	DRAWN
	25/12/09		

A

B

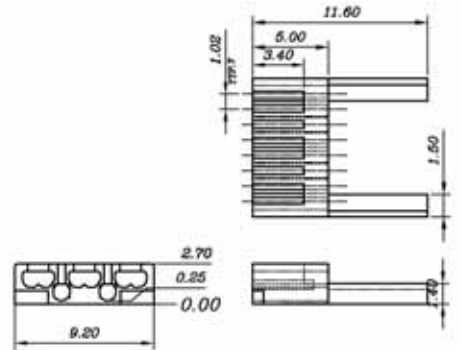
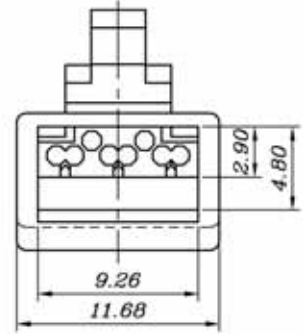
C

D



**SPECIFICATIONS**

1. ELECTRICAL:
  - UL APPLICATIONS: 250 VOLTS AC MAX., AT 2 AMPS.
  - DIELECTRIC WITHSTANDING VOLTAGE: 500 VOLTS AC.
  - INSULATION RESISTANCE: 100 M Ω.
  - TERMINATION: RESISTANCE 20m Ω MAX AFTER ENVIRONMENTAL TESTING.
2. MECHANICAL:
  - CABLE-TO-PLUG TENSILE STRENGTH: 20POUND MIN.
  - DURABILITY: 200 MATING CYCLES.
3. MATERIAL & FINISH:
  - HOUSING: POLYCARBONATE, UL94V-0 OR UL94V-2.
  - COLOR : TRANSPARENT OR OTHER COLOR ARE AVAILABLE.
  - CONTACT BLADE: COPPER ALLOY.
  - CONDUCTOR : STRANDED & SOLID WIRE , 24AWG, 26 AWG.
  - GOLD PLATING: 3u"-50u", ARE AVAILABLE.
  - SHIELDED SHELL: COPPER ALLOY.



BLADE:	Z			
Drawing		CABLE TYPE	ROUND	
Mark		Mark	✓	
GOLD PLATING				50u"
Mark			✓	

<b>AC</b>		MATERIAL	DWG NO.	
DIMENSION IN mm (inch) TOLERANCE UNLESS OTHERWISE SPECIFIED		PC	TD168M	
.X±0.20	.X°±5°	TITLE		
.XX±0.10	.XX°±2°	DRAWN		
APPROVAL	CHECKED	DRAWN	SCALE 2/1	SHEET 1/1
		<b>LiJing</b>	PROJ.	REV <b>A</b>

1 2 3 4 5 6 7